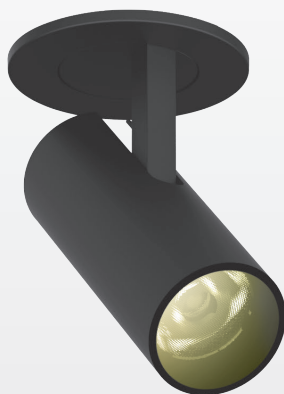


INVINCI TUBE

SINGLE POINT SERIES

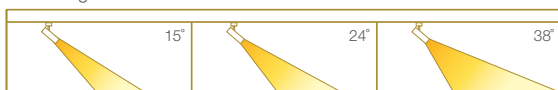
A series of retractable luminaires that can be transformed from a recessed form to a protruded adjustable form. The Invinci Tube single point series comes in 2 power and size variants that are ideal for illuminating designated areas and objects in all kinds of spaces.



Module Colour Temperature Variation



Beam Angle



Driver Dimming Variation



(ND)



(PH)



(AN)



(DA)

INVINCI TUBE RECESSED SINGLE POINT

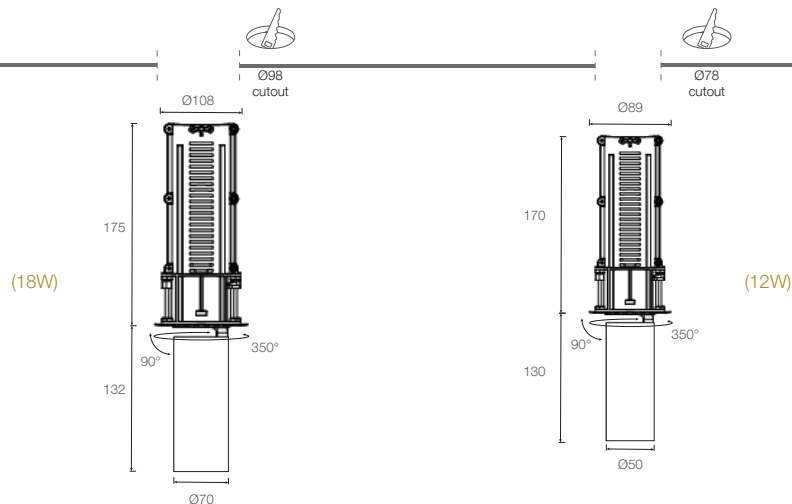
18W / 12W RECESSED SINGLE POINT MOUNTED LUMINAIRE



AVAILABLE OPTIONS

FIXTURE COLOUR OPTIONS	MATT WHITE RAL9003	MATT BLACK RAL9011		
ACCESSORIES				
	Honeycomb Anti-Glare Louvre	Soft Lens		
LED MODULE	SINGLE CCT			
	2700K	3000K	4000K	ProART
DRIVER DIMMING				
	<p>*All driver options are external.</p>			

DIMENSIONS (MM)



SPECIFICATIONS

Family Type	Tube Series
Mains Voltage	220-240V, 50Hz
Typical Operating Voltage	36V (18W), 31V (12W)
Typical Operating Current	500mA (18W), 400mA (12W)
Lifetime	50,000 hours (80% lumen maintenance at Ta = 25°C), B10
Beam Angles	15°, 24°, 38°
Colour Temperatures	2700K, 3000K, 4000K
CRI	ProART (CRI-95)
SDCM	3 steps MacAdam ellipse binning

Driver (Dimming)	Non-dim, phase (leading & trailing edge), 0-10V, DALI
Mains Connection	Push-pin or screw terminals for convenient connection
Materials	Aluminium, plastic
Fire Safety	Glow wire test 850°C, UL94V-0, VW-1
Flammability Mark	F
Ingress Protection	IP40
Safety Class	Class 2
Standards	IEC 60598-1, IEC 61347-2-13
Regulatory Markings	CE, CCC, RoHS

PHOTOMETRICS

TUBE 18W

Height (m)	E(0°)	E _{max} (lx)			TUBE 18W			Luminous Flux (lm)
		15°	24°	38°	LED Power	System Power	CRI	3000K
1	E(0°)	14479	7264	3724	18W	20W	ProART CRI-95	1540
	Cone Ø (m)	0.27	0.43	0.67				
2	E(0°)	3620	1816	931				
	Cone Ø (m)	0.55	0.86	1.35				
3	E(0°)	1609	807	414				
	Cone Ø (m)	0.82	1.29	2.02				
4	E(0°)	905	454	233				
	Cone Ø (m)	1.10	1.72	2.69				
5	E(0°)	579	291	149				
	Cone Ø (m)	1.37	2.14	3.37				

Data are based on 3000K (ProART CRI-95). Nominal data of 2700K and 3500K are shared with 3000K. Higher CCT of 4000K and 5000K will have a nominal data value of 5% higher than published. (f = 1.05)

Nominal CRI-95, equals to Ra>90-97, R9>50

TUBE 12W

Height (m)	E(0°)	E _{max} (lx)			TUBE 12W			Luminous Flux (lm)
		15°	24°	38°	LED Power	System Power	CRI	3000K
1	E(0°)	10074	5422	2217	12W	15W	ProART CRI-95	970
	Cone Ø (m)	0.26	0.42	0.70				
2	E(0°)	2519	1356	554				
	Cone Ø (m)	0.52	0.84	1.39				
3	E(0°)	1119	602	246				
	Cone Ø (m)	0.78	1.26	2.09				
4	E(0°)	630	339	139				
	Cone Ø (m)	1.04	1.69	2.79				
5	E(0°)	403	217	89				
	Cone Ø (m)	1.30	2.11	3.48				

Data are based on 3000K (ProART CRI-95). Nominal data of 2700K and 3500K are shared with 3000K. Higher CCT of 4000K and 5000K will have a nominal data value of 5% higher than published. (f = 1.05)

Nominal CRI-95, equals to Ra>90-97, R9>50

ORDERING MATRIX CHART

Fixture			LED Module				Driver	
Type	Colour	Accessories	LED Power	Beam Angle	Colour Temp	CRI	Dimming	
INVINCI-SPM	WH	Matt White	18	15°	27	PA	ND	
	MB	Matt Black					None	PH
			12	24°	30	AN		
				38°	40	DA		

example: INVINCI-SPM.WH.N.12.15.30.PA.ND